



## FEATURES

- BRI TE and NT simulation, monitoring
- PRI TE and NT simulation, monitoring
- Dual U interface for troubleshooting between the NT and the Exchange
- B-channel voice and D-channel signaling monitor
- EDSS1, V5.1/V5.2, QSIG, SS7 protocols
- Analysis of CAS (R1,5; R2)
- Automatic test of the supplementary services: CLIP, CLIR, COLP, COLR, CFU, CFB, CFNR, AOC, DDI, SUB, UUS
- Physical Layer testing
- Power feeding measurements with external adapters
- BERT bit error test with evaluation in accordance to G.821 / G.826
- Large store-recall memory for test results
- PC software for analysis of signalling data and control
- Selectable English or Russian languages
- LED indicators showing status of line signal

## APPLICATIONS

The **ISDN ANALYSER EIT 10** is a hand-held battery operated, multifunction - measuring instrument, intended for testing and qualifying Basic & Primary Rate ISDN.

The EIT 10 provides a complete range of test functions for installation and maintenance of the ISDN.

In the simulation measuring modes, the EIT 10 can be used at different reference points to check the functions of the ISDN.

In monitor mode, the EIT 10 can monitor B-channel voice and D-channel signaling. It displays and records the decoded D-channel data. The EIT 10 is the ideal solution to find out and solve the problems arisen during the operation of the ISDN.

The analyser can function as a telephone handset for performing in-service talk/listen or it can monitor voice quality and tones.

## MEASURING MODES

### Simulation

**TE Mode:** simulates the TE towards the NT and checks the ISDN services

**NT S Mode:** verifies operation of TEs without making calls into the ISDN

**NT U Mode:** simulates the NT towards the exchange

**LT Mode:** simulates the LT and checks the local loop.

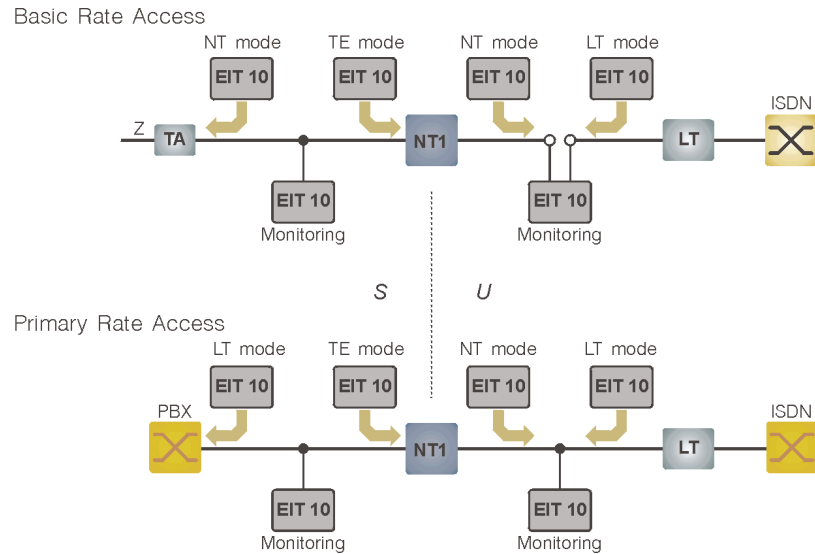
### Monitoring

**S:** monitors both the NT-TE and the TE-NT directions

**U:** works as an U-interface repeater

**PRI:** monitors 2 Mbit/s lines and decodes different protocols.

Measuring arrangements



SPECIFICATIONS

Basic rate access (2B+D)

S interface

Electrical characteristics .....ITU-T Rec. I.430,  
ETS 300 012  
Connector..... RJ 45  
Mode ..... high impedance, 100 Ω  
Power feed ..... external, PS1

U interface

Layer 1 specifications.....ETSI  
Connectors..... RJ 11  
Code..... 2B1Q  
Mode .....LT, NT, Repeater  
Power feed .....external

Primary rate access (30B+D)

E1 interface

Electrical characteristics .....ITU-T Rec. I.431,  
ETS 300 011  
Connector..... RJ 45  
Mode .....75 Ω, 120 Ω, high impedance  
Receiver sensitivity..... >30 dB

CLK interface

Input ..... ITU-T Rec. G.703  
Connector..... RJ 9

Coding law

Selection by software ..... A law, μ law

General specification

Power supply

Internal rechargeable battery pack  
Operation time..... approx. 8 hours  
External charger ..... mains adapter  
Charging time.....less than 3 hours

Display ..... 320 x 240 dot graphic LCD  
with backlight

LEDs ..... 18pcs (general, settings, line states)

Serial interface.....USB 1.1

Ambient temperature range

Operating ..... 0 to +50°C  
Storage and transport ..... -20 to +70°C

Dimensions..... 224 x 160 x 44 mm

Weight (including battery pack) ..... approx. 1.5 kg

Ordering information

ISDN ANALYSER EIT 10 .....354-000-000

Including:

Operating manual  
Mains adapter  
Measuring cable set  
U2 Power feed  
S Power feed  
USB cable  
Carrying case  
Demo program

Option:

SS7 protocol ..... SW 354-510-000  
V5.1/V5.2 protocols ..... SW 354-530-000  
PC software for analysis  
of signalling data and control ..... SW 354-540-000  
Analysis of CAS ..... SW 354-550-000  
Calibration Report ..... CR 354-000-000E